



NEOS TECHNOLOGIES

A Gooch & Housego Company

OPERATING MANUAL

ACOUSTO OPTIC MODULATOR

MODEL NUMBER:

23080-1

23080-X-LTD

X= 1, 2, or 3 mm

DOCUMENT NUMBER: 51A00620D

Document approved for release: W Seale Date: 6/20/06

US OFFICE: NEOS Technologies, Inc. ♦ 4005 Opportunity Drive ♦ Melbourne, FL 32934 ♦ USA
Tel: (321) 242-7818 ♦ Fax: (321) 242-1019 ♦ Email: neos@neostech.com

UK OFFICE: Gooch & Housego ♦ The Old Magistrates Court ♦ Ilminster, Somerset TA19 0AB ♦ UK
Tel: +44 1460 52271 ♦ Fax: +44 1460 54972 ♦ Email: sales@goochandhousego.com

TABLE OF CONTENTS

<u>SECTION</u>	<u>DESCRIPTION</u>	<u>PAGE</u>
I.	INSPECTION PROCEDURE	3
II.	DESCRIPTION	4
III.	SPECIFICATIONS	5
IV.	OUTLINE DRAWINGS	6
V.	CALCULATIONS	8
VI.	RISE TIME VS DIFFRACTION EFFICIENCY	9
VII.	OPERATING INSTRUCTIONS	10
VIII.	CLEANING INSTRUCTIONS	12

SECTION I

INSPECTION PROCEDURE

Examine the shipping carton for damage. If the shipping carton or packing material is damaged it should be kept for the carrier's inspection. Notify the carrier and NEOS Technologies. Check the contents of the shipment for completeness, mechanical damage, and then test the equipment electronically. Operating procedures are contained in Section VII. If the contents are incomplete, or the equipment does not pass the electrical testing please notify NEOS Technologies.

If there is any problem with the use of this equipment, or if the equipment fails to function as expected contact NEOS Technologies, do not try to trouble shoot or repair this equipment. Consult with a NEOS service engineer. If the equipment needs repair or replacement, contact NEOS Technologies, Inc for a Return Authorization Number.

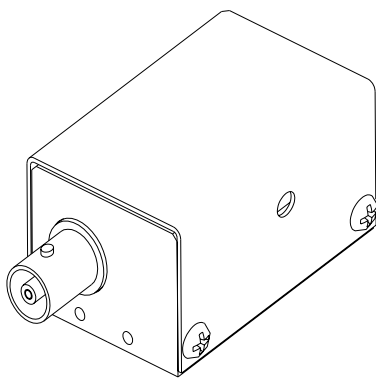
SECTION II

DESCRIPTION

**AO MODULATORS
23080-1 or 23080-X-LTD
X= 1, 2, or 3**

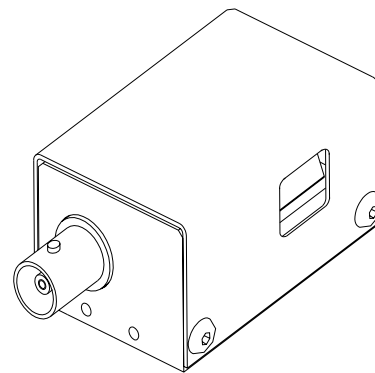
The 23080 modulator consists of a tellurium dioxide crystal with a lithium niobate transducer. Optimum diffraction efficiency will be provided with a rise time of 80 nanoseconds or greater correlating to a waist diameter in the TeO₂ crystal of 0.51 millimeter. The 23080 is available in standard or low thermal drift housing. The X in the model number is the height of the transducer on the crystal where X is 1, 2, or 3 mm. The modulator assembly should be mounted on a fixture to provide sufficient adjustment to peak the modulator efficiency (Bragg angle, horizontal, and vertical position) and the lenses must be supplied to achieve the rise time. The 23080-1 or 23080-X-LTD modulator assembly can be purchased with a Bragg angle adjustment mount Model 72000.

The modulator can be driven with any good driver with a nominal 50 Ω output of 80 MHz, however, it is recommended that a NEOS driver be used to drive this modulator to achieve optimum performance. The RF input to the modulator should not exceed 1 watts CW for the 3080-1-LTD or 3080-2-LTD and no more than 2 watts CW for the 3080-3-LTD. Be extremely careful not to focus the laser beam on to the gold bond wires on the acoustic transducer, which may vaporize the bond wires. NEOS will not warranty any such damage. The modulator has been designed and verified to satisfy the specifications.



23080-1

53B0504



23080-X-LTD

53B0624

SECTION III SPECIFICATIONS

23080-1 or 23080-X-LTD

<u>PARAMETER</u>	<u>SPECIFICATION</u>
Interactive Material	TeO ₂
Acoustic Mode	Longitudinal
Operating Wavelength	440 – 850 nm
Window Configuration	AR Coated
Transmission	>97 %
Operating Frequency	80 MHz
Diffraction Efficiency	>85% @ 632.8 nm
Light Polarization	Linear Polarization, Perpendicular to Acoustic Propagation or Random Polarization.
Acoustic Aperture Size	X = 1, 2, or 3mm
Rise Time	150 ns / mm Beam Diameter
Deflection Angle	11.88 mrad @ 632.8nm
RF Power Level	< 1 watts for -1, -2 < 2 watts for -3
Impedance	50 Ω nominal
VSWR	<1.2:1 @ 80 MHz

Related Documents:

Modulator Package: Acceptance Test Procedure: Acceptance Test Results Form:

23080-1	53B0504	42A12059	52A00856
23080-1-LTD	53B0624 TO1	42A12059	52A00856
23080-2-LTD	53B0624 TO1	42A12056	52A11824
23080-3-LTD	53B0624 TO2	42A12054	52A11825

Recommended Drivers for -1, -2 :

Analog Driver System: 21080-1AS
Analog Driver Module: 21080-1AM

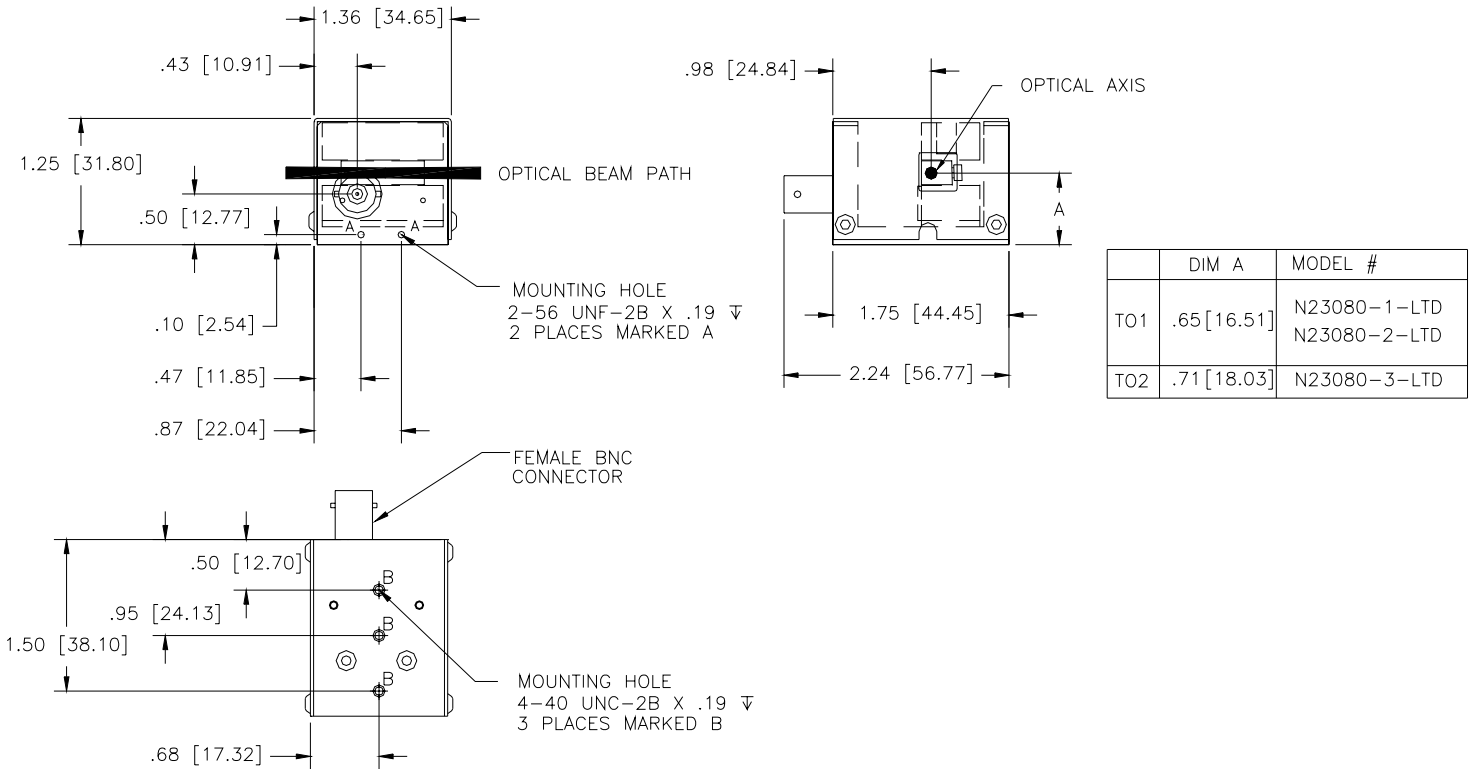
Digital Driver System: 21080-1DS
Digital Driver Module: 21080-1DM

Recommended Drivers for -3 :

Analog Driver System: 21080-2AS
Analog Driver Module: 21080-2AM

Digital Driver System: 21080-2DS
Digital Driver Module: 21080-2DM

SECTION IV
OUTLINE DRAWINGS



23080-X-LTD

53B0624

Dimensions are in inches

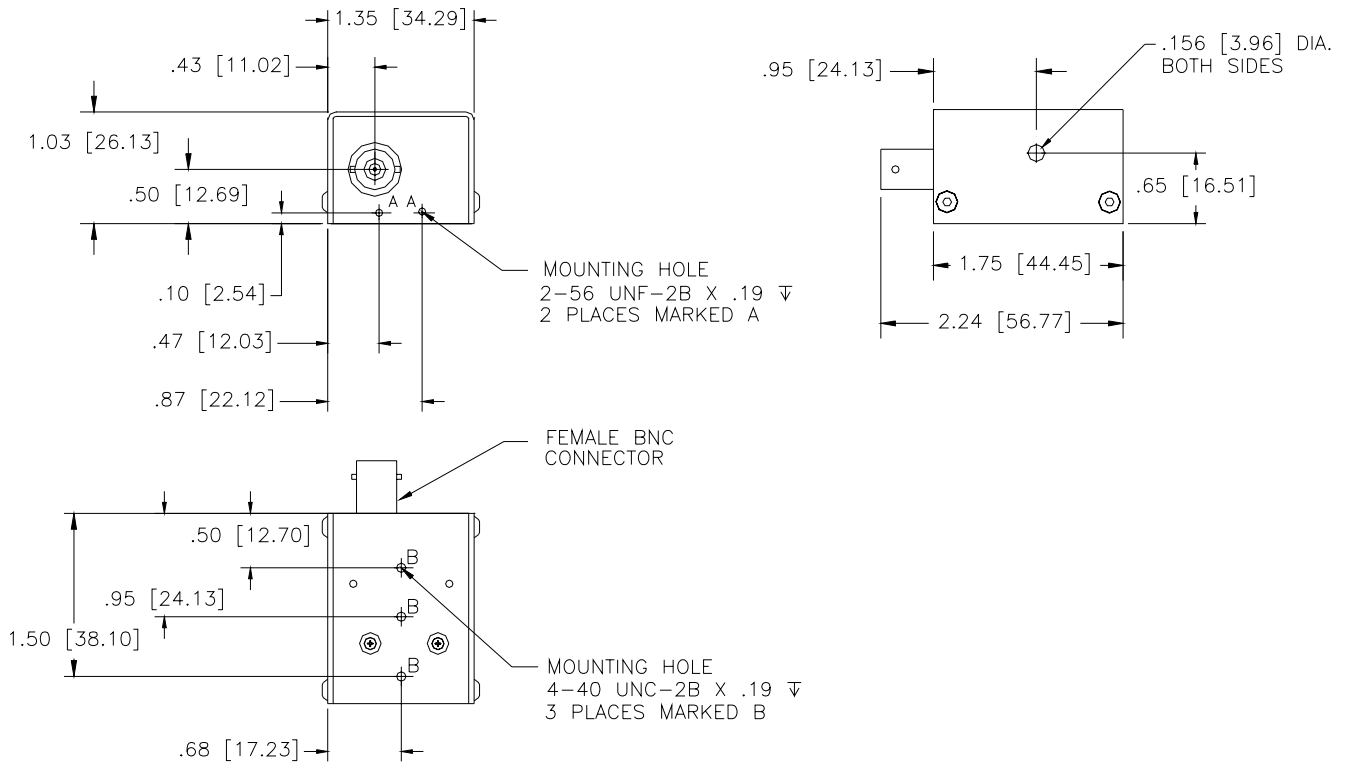
Tolerances:

Decimal: .xx = .01 .xxx = .005

Dimensions in [] are in mm.

Millimeter: .xx = .25mm .xxx = .127mm

Angle: = ± 30'



23080-1

53B0504

Dimensions are in inches

Tolerances:

Decimal: .xx = .01 .xxx = .005

Dimensions in [] are in mm.

Millimeter: .xx = .25mm .xxx = .127mm

Angle: = $\pm 30'$

SECTION V CALCULATIONS

The equations to determine the AOM rise time "t_r" are as follows:

First determine the waist size by the equation,
$$d_0 = \frac{4f\lambda}{\pi d_1}$$

Where: f = lens focal length in mm

λ = the optical wavelength in 10⁻⁶m

d₁ = the input optical beam diameter in mm

d₀ = the waist diameter inside the modulator in 10⁻⁶m

Knowing the waist size inside the modulator, then the modulator rise time can be calculated from the relationship:

$$t_r = \frac{1.3d_0}{2V}$$

Where: V = the acoustic velocity of the TeO₂ modulator material which is 4260 m/s

The focal length of the lens is the F# of the lens times the input spot diameter:

$$F\# d_1 = f_{lens}$$

The diffraction efficiency of the modulator will be affected by the beam waist inside the modulator. See figure 1 for the trade off between diffraction efficiency and rise time.

The deflection angle "∅_d" is defined as the acoustic drive frequency in megahertz times the wavelength, divided by the acoustic velocity of the material:

$$\varnothing_d = 2\theta_{Bragg} = \frac{80 \times 10^6 \lambda}{4260 \text{ m/s}}$$

Where: θ_{Bragg} = Bragg angle of the modulator.

SECTION VI

Typical Rise Time And Beam Waist Inside Modulator Versus Diffraction Efficiency

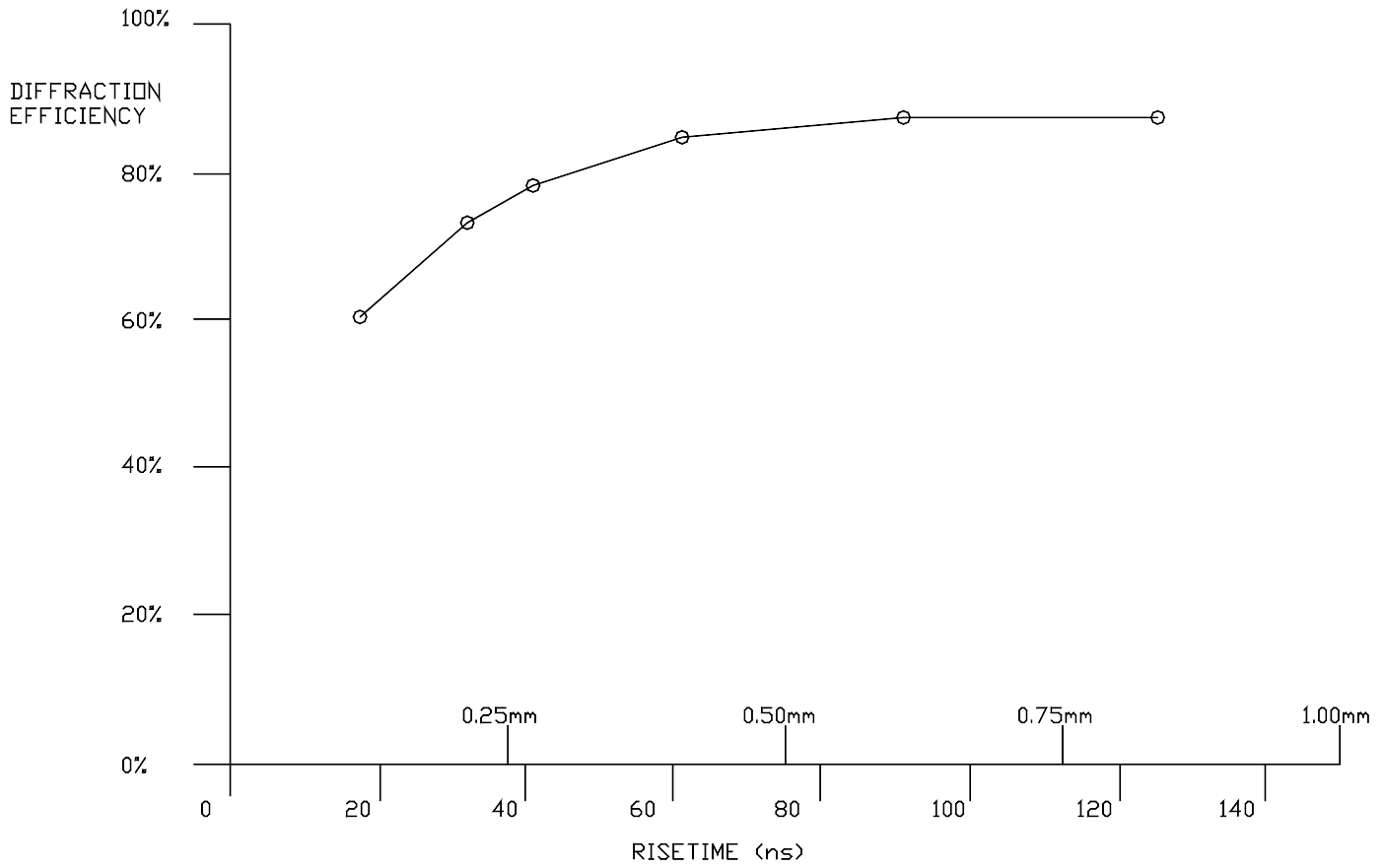


Figure 1

SECTION VII. OPERATING INSTRUCTIONS

Mount the modulator in the optical path with the laser beam passing through the device window centered on the window vertically and close to the transducer (connector end). The modulator is polarization sensitive and performs best with light linear polarized, oriented perpendicular to the acoustic propagation axis. Random polarization can be used but the diffraction efficiency will be reduced by 10 %. The modulator mount assembly must have sufficient adjustments to peak the modulator efficiency (Bragg angle, horizontal, and vertical position) and the lenses must be supplied to achieve the rise time. Be extremely careful not to focus the laser beam on the gold bond wires on the acoustic transducer, which may vaporize the bond wires. NEOS will not warranty any such damage.

Using a 50 Ω coaxial cable, connect the "RF out" of the driver to the modulator. Turn on the RF power. If using a NEOS driver system, be sure the mode switch is in the CW position. Make sure that the RF power does not exceed 1 watts CW for the 3080-1-LTD or 3080-2-LTD and no more than 2 watts CW for the 3080-3-LTD.

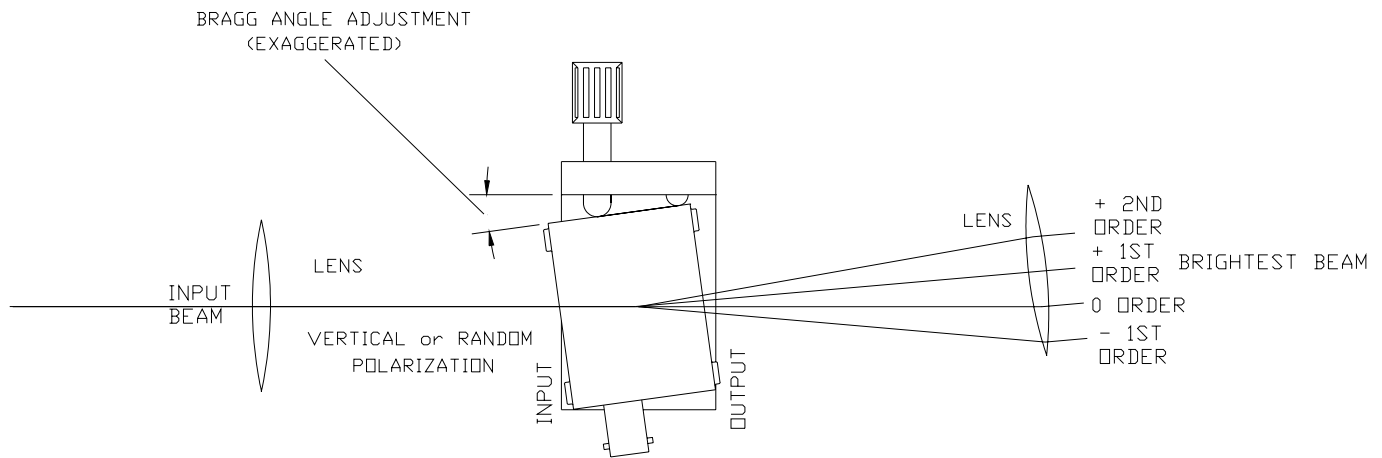
With the laser beam going through the optical crystal, and close to the transducer, adjust the Bragg angle, by rotating the modulator, to allow the diffracted first order beam away from the transducer (connector end) to be the most intense. See figure 2.

Install the input lens, one "f" away, and adjust the height of the modulator to achieve diffraction. Make changes in the Bragg adjustment screw to obtain optimum efficiency. Adjust, if necessary, the RF driver for power level to obtain maximum diffraction efficiency. If the driver and modulator are purchased together, the driver will be adjusted for optimum performance before shipment. Install the output lens, one "f" away, to re-collimate the output beam.

The modulator has been designed and verified to satisfy the specifications.

To operate the modulator use the first order diffracted beam with the driver mode switch set to normal. See the driver manual for further information.

Figure 2



AOM BRAGG ADJ.

SECTION VIII.

OPTICAL CLEANING

Periodic cleaning of the AO device is a normal part of maintaining an optical system. When the device is installed in an optical system, make sure that there is access to allow removal of the protective cover and room to clean the device. If removal from the system is necessary, then follow the alignment procedure in this manual to reinstall, realign and, adjust the AO device.

To clean the AO device, remove the screws that hold the cover to the mount. Caution must be used when placing a screw driver near the window opening in the cover, as it is best to protect the opening with tape or cover the opening with your finger (without touching the crystal) to protect it. NEOS will not warrant any damage or scratches caused by inserting the screwdriver into the window opening.

- Remove the protective cover.
- Blow off any visible dust with canned air. Do not use an air gun unless it is filtered and water and oil free!
- Fold (4 times) a new lens tissue into a triangle to make a cleaning tool.
- Dip the tip of the lens tissue into fresh acetone or spray fresh acetone from a squeeze bottle onto it. Then shake excess fluid out of the lens tissue. Do not handle the wet area of the tissue, as your finger oil will be absorbed and contaminate the optical surface of the crystal.
- Wipe (only once) across the crystal in an even motion, starting near the transducer and drawing the tissue across the optical surface toward the other end. Do not damage the bond wires! Do not reuse the tissue as the mounting silver epoxy may be spread onto the window of the crystal.
- Repeat with a new tissue each time and for each surface that needs cleaning.
- Replace the protective cover and screws.
- Realign the device in your system and adjust the Bragg angle for maximum diffraction efficiency.

Notes:

- The lens tissue must be lint free and the best grade available.
- Only use each tissue once, for only one surface. Do not reuse the tissue, as it will redistribute the removed dust or mounting silver epoxy.
- The acetone must be electronic grade. The acetone must be fresh from a new bottle, as the acetone will absorb water from the air and cause streaks. Discard any acetone, which has been exposed to the air for more than 4 hours. If the bottle is half- empty, do not use.